



# Preventive Maintenance Kit

**Applicable Models:** GB Powdered Beverage Dispenser

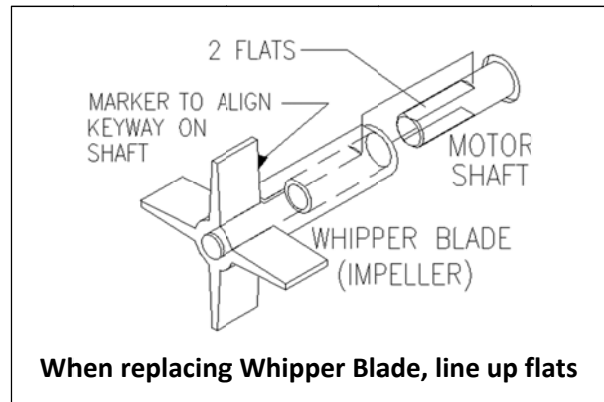
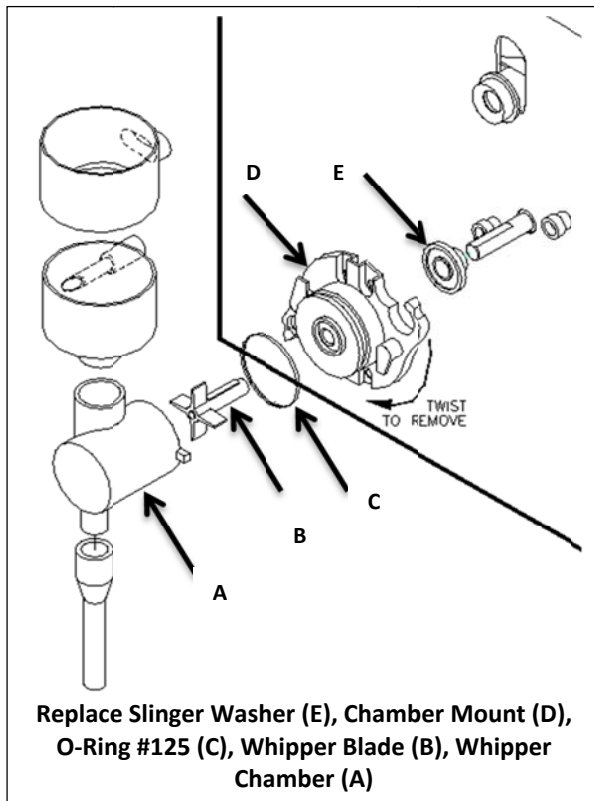
**PM Frequency:** every 6 months or as needed

**Parts Included:**

Slinger Washers  
Chamber Mounts  
O-Rings #125  
Whipper Blades  
Whipper Chambers  
Mixing Chamber Sockets

**Description and Instructions:**

1. Lubricate Motor Shaft with food grade NSF safe lubricant (not included). Replace Slinger Washer and Chamber Mount.
2. Replace Whipper Blade (slide onto Motor shaft).
3. Replace Whipper Chamber.



Operator Manuals, including use and care instructions as well as product video tutorials, can be found on our website, [www.gmcw.com](http://www.gmcw.com). Call 1-800-695-4500 for Technical Support.